



LD4

User Guide

Line Driver - 4 Channel



Important safety instructions

Observe all instructions and follow warnings marked on the equipment and in the user's manual.

Connect the equipment only to a source of proper mains voltage.

Do not attempt to switch on any equipment that has been dropped, that is damaged, or has had liquid penetration, or if malfunctions have occurred and their nature requires a repair action. The supply cable shall be made by a person having proper qualifications.

Warning

The equipment is designed in Class I and shall be connected to a wall socket having protective earthing.

The mains plug and supply cable shall remain easy accessible, as this is used for disconnection of the equipment from the supply source if necessary.

Never interrupt earthing due to safety reasons.

Do not place the equipment close to heating bodies or other sources of heat and protect it against direct sunlight.

The equipment must not come into contact with open flames.

The equipment must not be exposed to dripping or splashing liquid or water and excessive humidity.

Any object filled with any liquid shall not be placed on the equipment.



The triangle with a symbol of a lightning marks parts of the equipment under life jeopardizing voltage, whose values may cause an injury from electric shock.



The symbol indicating that the equipment is manufactured in compliance with EU standards.



The triangle with a symbol of an exclamation mark in the text marks important instructions for operation, setting and maintenance.

Contents

Introduction	3
Introduction	3
Dimensions	3
Description	4
Rear panel Description	4
Input / Output Connectors Pins	4
LD4 Use Example	4
Specifications	5
Warranty · Service	6

LD4™ LINE DRIVER

LD4 - part number KVV 987 091 - Line Driver (230 V)
KVV 987 092 - Line Driver (115 V)



Application

Specifically designed as part of the VHD system to preserve and maintain signal integrity between mixer and amplifier devices over long distances

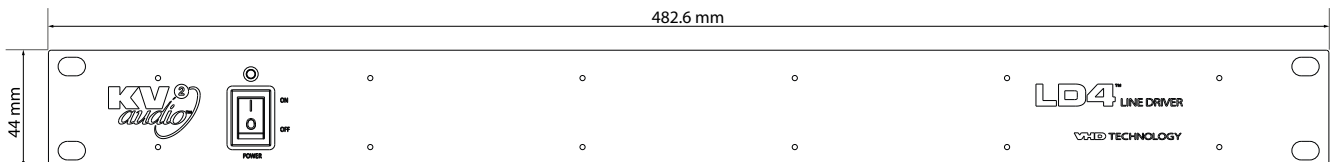
- Live music and performance
- Fixed installations
- Can be used with any Audio system for improved results

Introduction

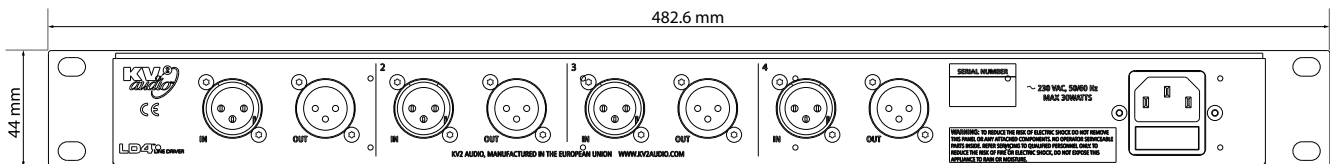
The VHD LD4 is a four channel line driver designed to maintain audio signal integrity over long cable lengths. As cable lengths between mixers and amplifiers increase, the length of the cable creates a high capacitance load that many mixers have difficulty in driving. The LD4 eliminates standing waves and signal impurities resulting in the delivery of a high quality audio signal no matter what the cable length. The VHD LD4 was built as a part of KV2 Audio's VHD product philosophy focused on delivering very high definition audio. Each channel features an individual transformer based power supply with insulated grounding. Circuitry is designed to provide excellent resolution of signal with very high dynamic content as found in live sound applications.

Dimensions

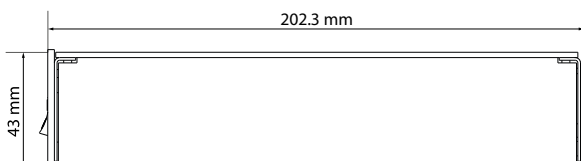
Front Panel:



Rear Panel:



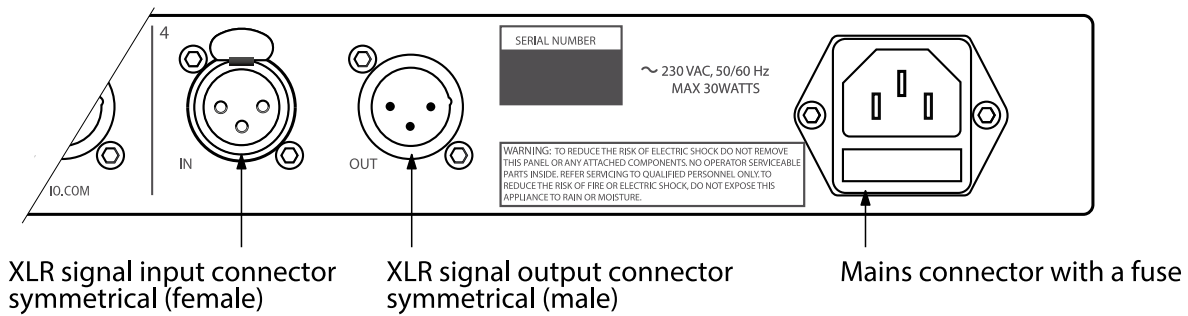
Side Panel:



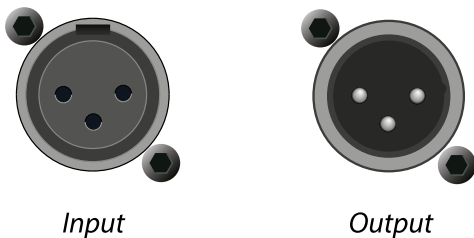
Description

The LD4 is a line driver. It consists of four independent galvanic-separated modules (meaning the occurrence of ground loops is eliminated). It is used to suppress effects on the quality of the transferred signal between the mixing console, PA system and monitors. For the correct function of the equipment it is necessary to shorten interconnection between the mixing console outputs and LD4 inputs to a minimum length, (3m max). The LD4 can drive lines up to 500 m long without any perceptible declining of quality. For the correct function of the equipment signal chain, it is NECESSARY to terminate the line using a resistor 50 Ohm/1 W on the end of the last amplifier module.

Front panel Description

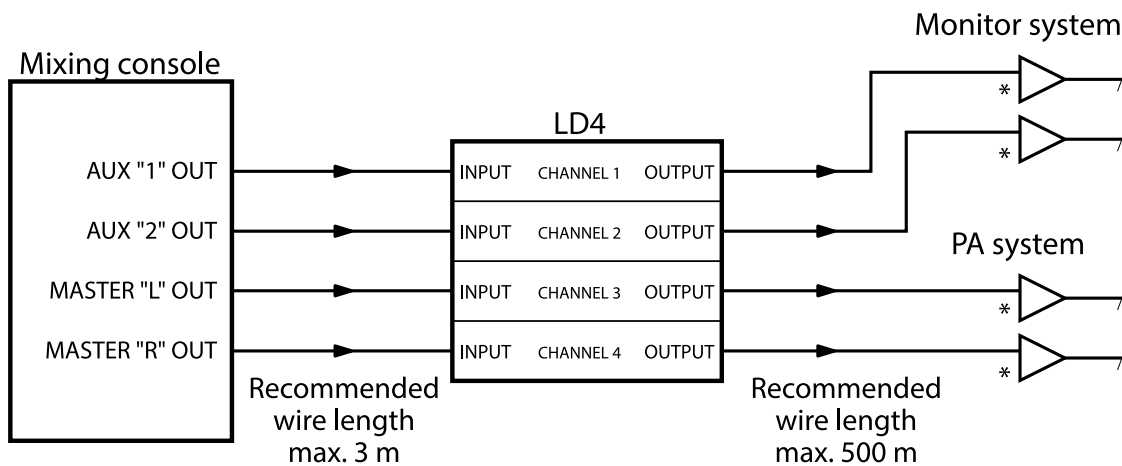


Input / Output Connectors Pins



- Pin 1 - Ground
- Pin 2 - Signal (+)
- Pin 3 - Signal (-)
- Case - Earth (AC) ground and chassis

LD4 Use Example



* The end of the line or input of the amplifier respectively should be terminated using a resistor 50 Ohm/1 W.

Specifications

System Acoustic Performance

-1 dB Response	6 Hz to 500 kHz
Dynamic Range	>120 dB
Total Harmonic Distortion	<0.0005%

Output Channels

Max. Output Voltage	14 V / 7 V (50 Ω) RMS
Max. Output Current	450 mA

Signal Input

Input Channels	4x
Input Impedance	20 kΩ
Line input	Gain (50 Ω) 0 dB

Signal Output

Output Channels	4x
Output Impedance	50 Ω

Power

Power Connector	IEC 320
Operating Voltage	115 V / 230 V
Operating Voltage Range	100 to 125 V @ 60 Hz 200 to 250 V @ 50 Hz

Physical Dimensions

Height	44 mm (1.7")
Width	482.6 mm (19.0")
Depth	202.3 mm (7.9")
Weight	2.9 kg (6.5 lb)

Warranty

Your LD4 is covered against defects in material and workmanship.

Refer to your supplier for more details.

Service

In the unlikely event that your LD4 develops a problem, it must be returned to an authorized distributor, service centre or shipped directly to our factory. Because of the complexity of the design and the risk of electrical shock, all repairs must be attempted only by qualified technical personnel.

If the unit needs to be shipped back to the factory, it must be sent in its original carton. If improperly packed, the unit may be damaged.

To obtain service, contact your nearest KV2 Audio Service Centre, Distributor or Dealer.



The Future of Sound.
Made Perfectly Clear.

KV2 Audio International

Nádražní 936, 399 01 Milevsko
Czech Republic

Tel.: +420 383 809 320

Email: info@kv2audio.com

www.kv2audio.com

KVV120012-00-03-0