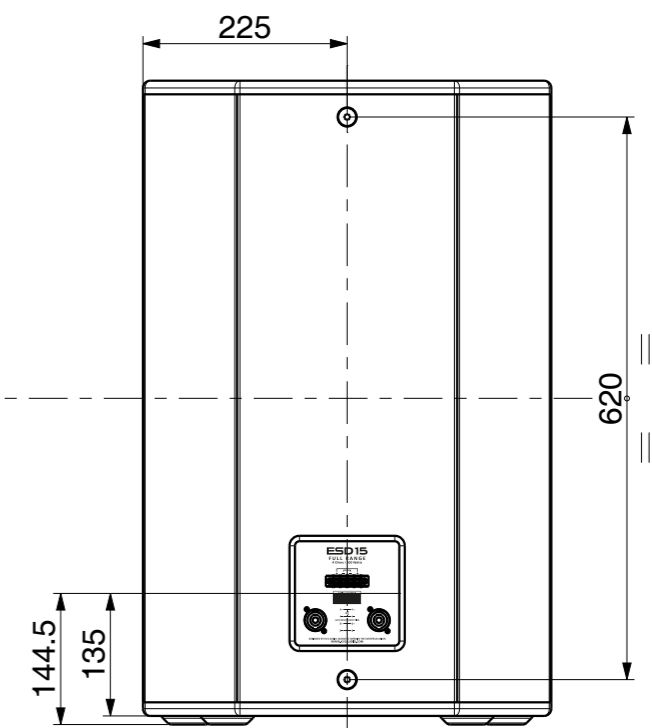
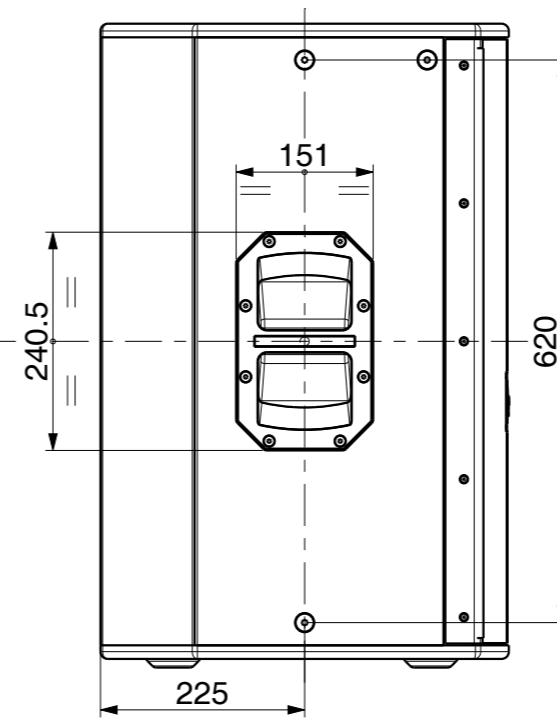
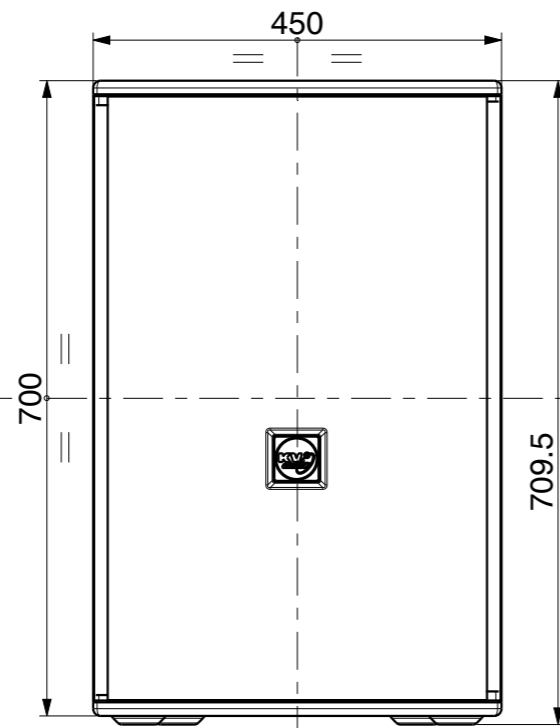
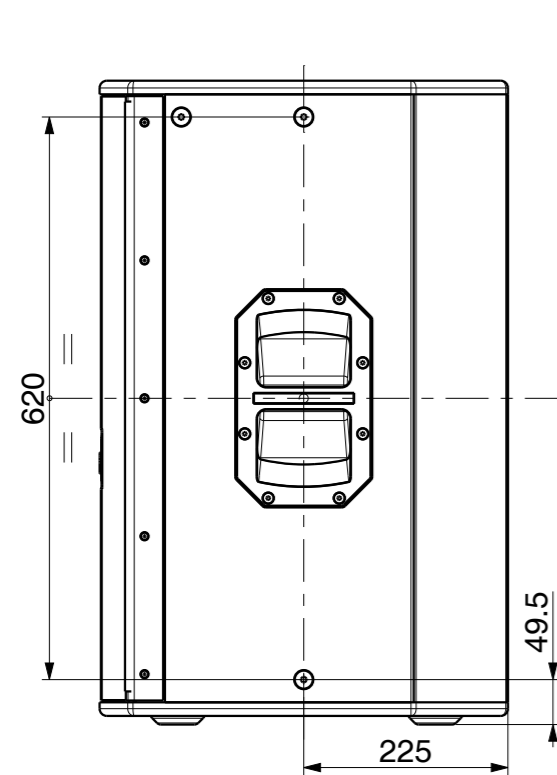
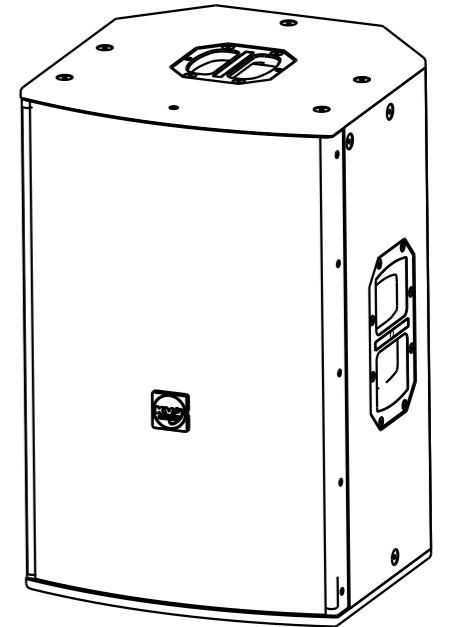
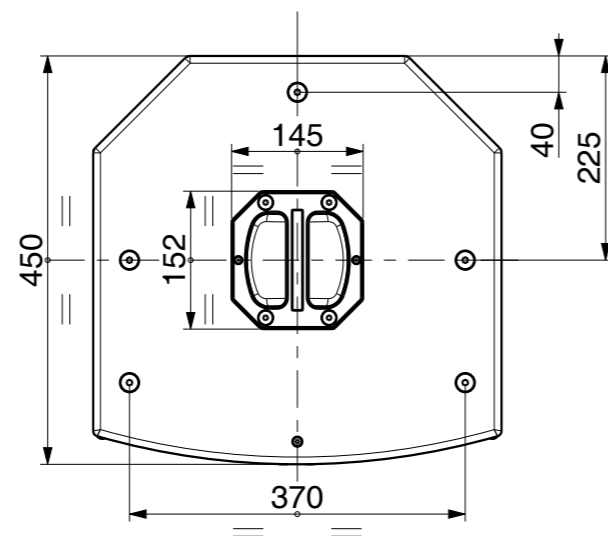

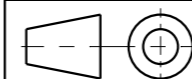


1:10



3:25



<p>Nádražní 936, 399 01 MILEVSKO CZECH REPUBLIC tel.: +420 382 52 11 33 e-mail: kv2@kv2.cz</p>  	PRODUCT NAME:	ESD15
	PRODUCT NUMBER:	KVV987313
	REVISION:	02