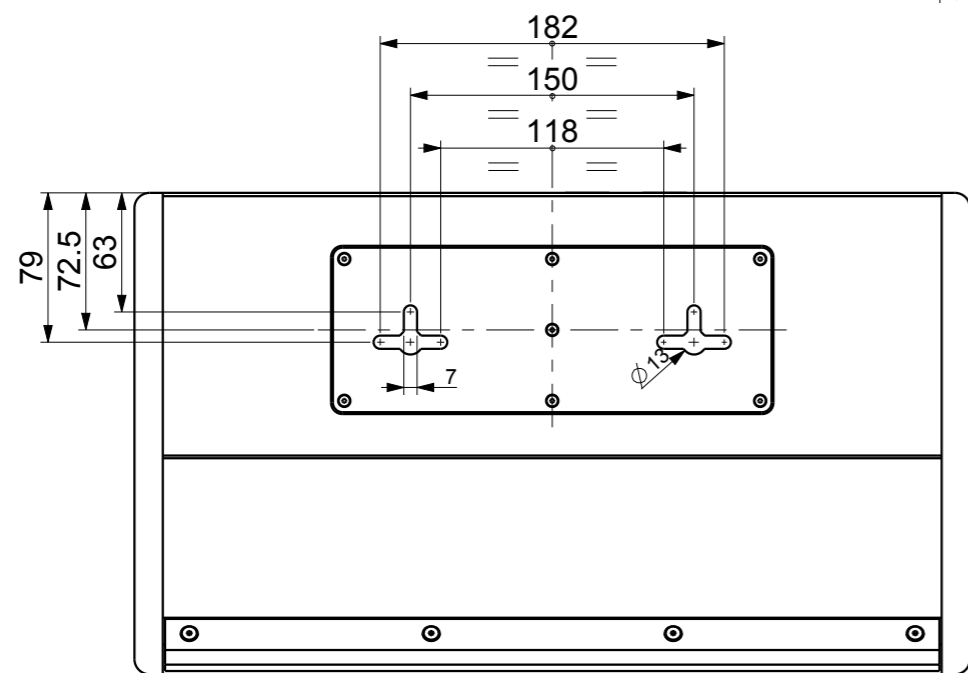
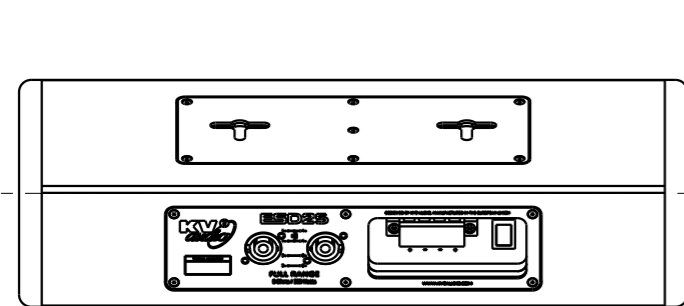
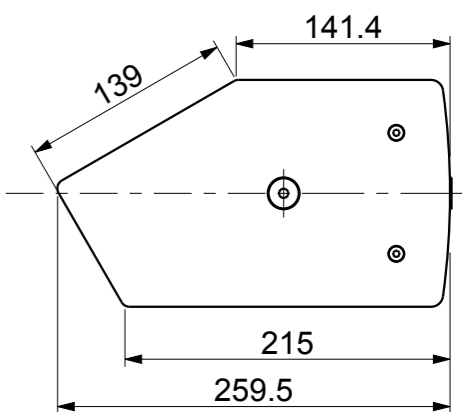
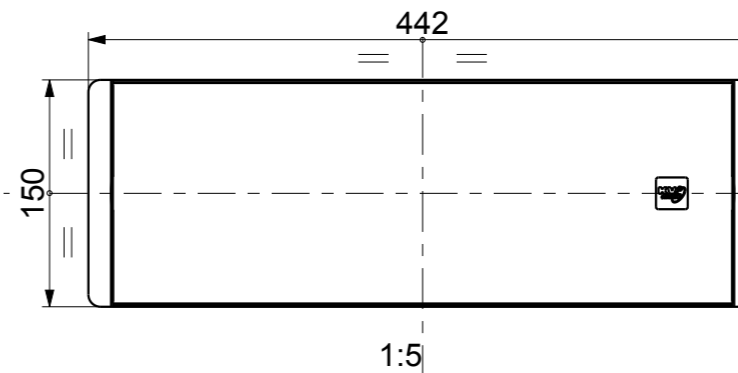
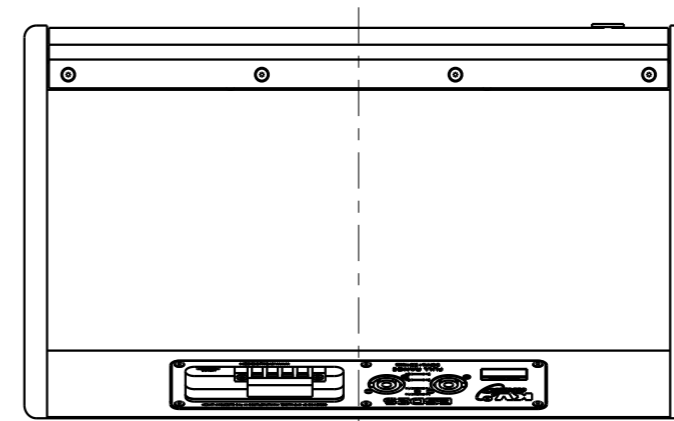
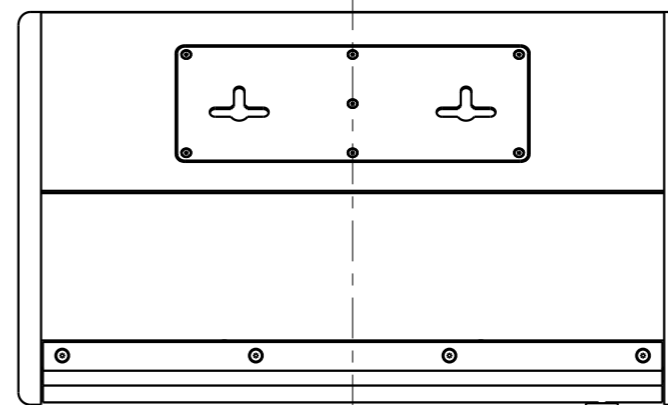



ESD25
WITH BRACKET



1:4



 <p>Nadrazni 936, 399 01 MILEVSKO CZECH REPUBLIC tel.: +420 382 52 11 33 e-mail: kv2@kv2.cz</p>	PRODUCT NAME:	ESD25
	PRODUCT NUMBER:	KVV 987 368
	REVISION:	<u>01</u>