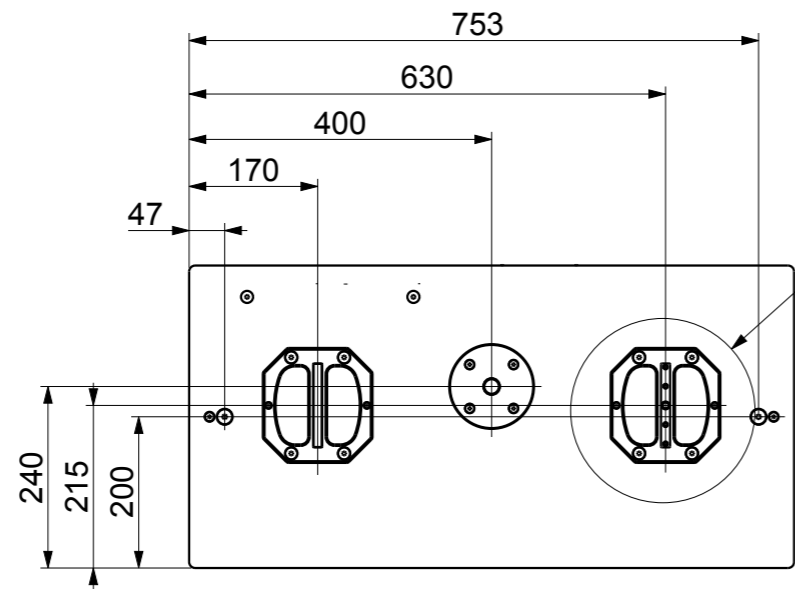
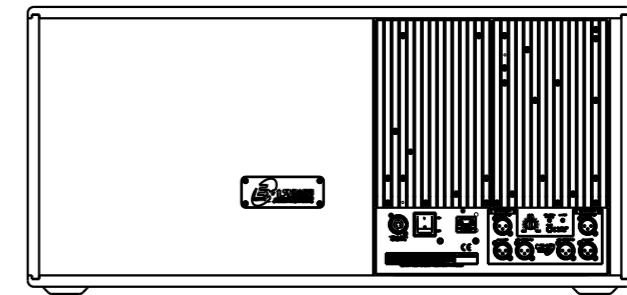
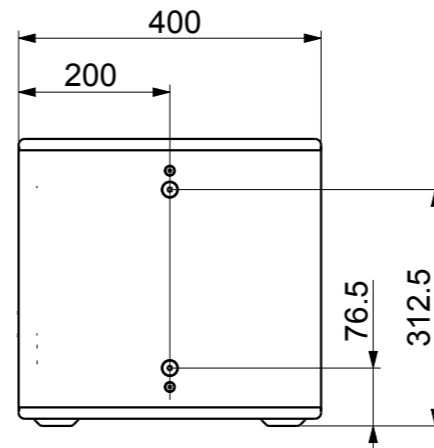
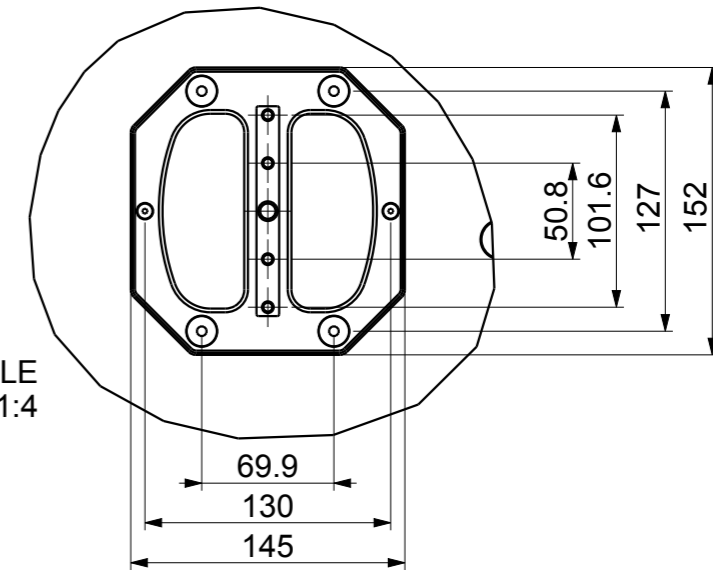



1:10



DETAIL HANDLE

DETAIL HANDLE
1:4



 <p>Nadrazni 936, 399 01 MILEVSKO CZECH REPUBLIC e-mail: kv2@kv2.cz tel.: +420 382 52</p>	PRODUCT NAME:	EX1.2 MkII
	PRODUCT NUMBER:	KVV 987 360
	REVISION:	01