



ES Flyware

Suspension & Rigging

User Guide

- Introduction
- Safety Warning
- Parts & Components
- Weights & Strengths
- Configurations



The Future of Sound. Made Perfectly Clear.

At KV2 Audio our vision is to constantly develop technologies that eliminate distortion and loss of information providing a true dynamic representation of the source.

Our aim is to create audio products that absorb you, place you within the performance and deliver a listening experience beyond expectations.

Contents

ES Flyware	3
Introduction	3
Warning - Safety Rigging	3
Warranty · Service	3
Parts & Components	4
Description	5
Weights & Strengths	6
Configurations with Basic Brackets	7
Configurations with Lower Arms	8 - 9

Introduction

This manual is presented by KV2 Audio, to enable the clear and precise instructions for the safe practice and execution, suspension and general rigging of the ES Loudspeaker products, using the **ES FLYBAR** system.

It is vitally important that operators and users familiarize themselves with all of the components, parts, products and safety instructions, as described and indicated within this document, before attempting any over-head suspension, flying and rigging.

The ES Loudspeaker enclosures are designed with integral suspension points to facilitate secure flying and rigging, providing that no modifications or external parts are substituted, and that all instructions are adhered to at all times.

KV2 Audio s.r.o operates a continuing process policy of attaining and improving standards.

This means that instructions and methods may be subject to change without notification, and it is the sole responsibility of the operator/user to check for any updated information regarding safe flying procedures whether locally or internationally.

Warning - Safety Rigging

There are accepted '**General Rigging Practices**' appropriate to the entertainment industry and this Document aims to encapsulate them specifically to the safe suspension of the KV2 VHD Loudspeaker systems described here.

It is extremely vital and important that only personnel whom have the qualifications and certificates, prior knowledge and experience of rigging techniques, attempt the execution of any overhead suspension of KV2 products.

All advice and instructions expressed and stated within this document, are based upon the highest engineering data available at the time of publication, from within the Country of manufacture, with regards to materials and general practice techniques.

Specifications are subject to change, due to constant testing, product updates and renements and R&D.

'**General Rigging Practices**' means that Regulations and requirements are possibly subject to alterations in different countries and may be superseded locally.

KV2 Audio, as such is not responsible for the safety of any suspension, flying over-head of all specific KV2 Audio Loudspeaker products, or Rigging configurations as executed in practice by users.

It is expressly the sole responsibility of the user to ensure that at all times any KV2 Audio product or system is suspended and rigged in accordance with current International and local regulations.

All non KV2 Audio products such as hoists, clamps, wires, truss, supports used ,or required to suspend KV2 Audio Loudspeaker systems are the sole responsibility of the user.

Warranty

Your ES Flyware is covered against defects in material and workmanship.

Refer to your supplier for more details.

Service

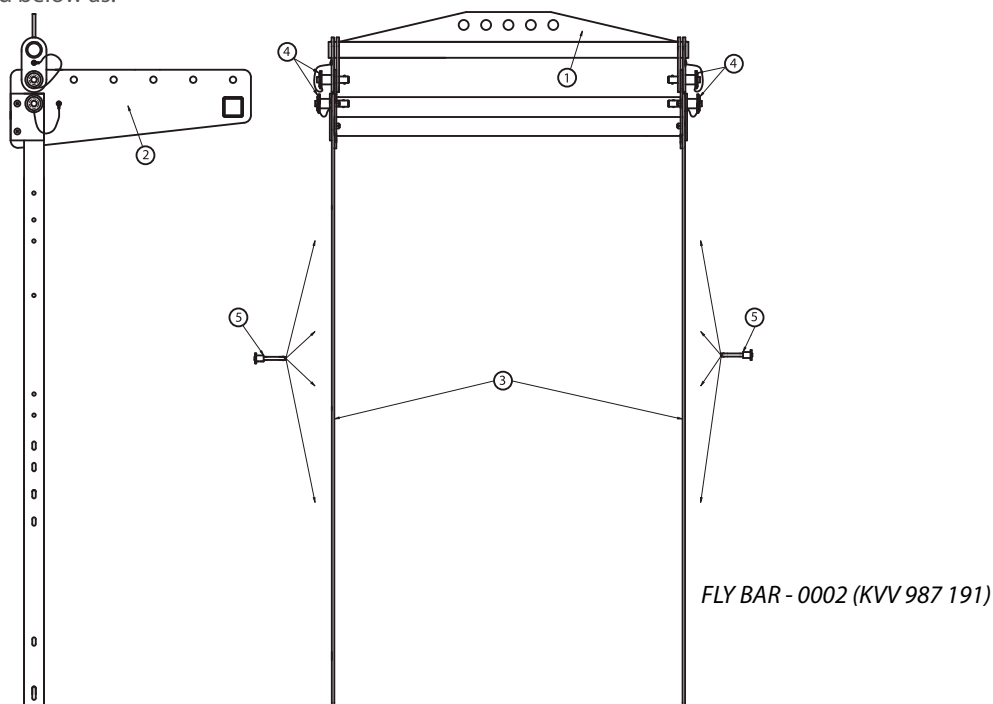
In the unlikely event that your ES Flyware develops a problem, it must be returned to an authorised distributor, service centre or shipped directly to our factory. Because of the complexity of the design and the risk of electrical shock, all repairs must be attempted only by qualified technical personnel.

If the unit needs to be shipped back to the factory, it must be sent in its original carton. If improperly packed, the unit may be damaged.

To obtain service, contact your nearest KV2 Audio Service Centre, Distributor or Dealer.

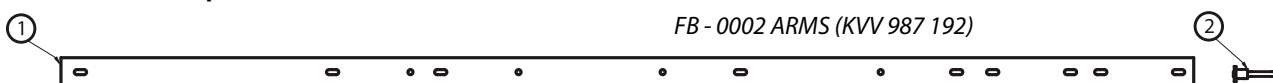
Parts & Components

The **ES FLYBAR** is a complete system to facilitate the safe suspension of multiple components of the ES series. Consisting of individual parts that form the basis of attaching the ES Loudspeaker modules to the **FLYBAR**, these are identifiable and described below as:

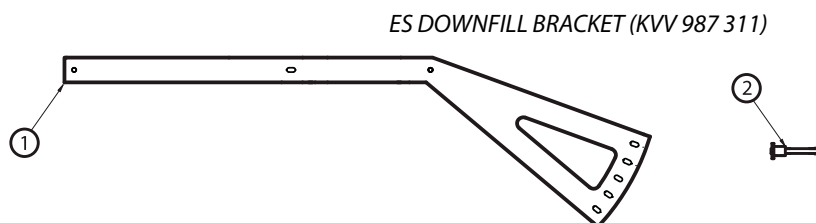


Item	QTY	Description
1	1	PICKPOINT Hanging Arm
2	1	MAIN FRAME
3	2	STEEL SUPPORT MOUNT ARM
4	4	D12.6 QUICK RELEASE PIN
5	8	D6 QUICK RELEASE PIN
6	8	M10 x 25 HOLLOW SCREWS

Additional options



Item	QTY	Description
1	2	FB-0002 STEEL SUPPORT EXTENSION ARM
2	8	D6 QUICK RELEASE PIN
3	8	M10 x 25 HOLLOW SCREWS



Item	QTY	Description
1	2	ES DOWNFILL BRACKET
2	8	D6 QUICK RELEASE PIN
3	8	M10 x 25 HOLLOW SCREWS

Description

FLY BAR - 0002 (KVV 987 191):

The **PICKPOINT** Hanging Arm is a tubular steel bar that has a line of prefixed apertures in a steel plate along its top edge to allow attachment to hoists, truss and beams.

At each end of the bar is a double steel return at 90 degrees, forming a 'slot' and has a single aperture to receive both the **MAIN FRAME** and a single **D12.6 QUICK RELEASE PIN** on each side.

This forms the immediate basis of the complete hanging system and to which all corresponding parts are connected.

The **MAIN FRAME** is a steel frame consisting of two flat sides with prefixed apertures along its top edge and has two slots on the front end/edge to allow the connection of the **STEEL SUPPORT MOUNT ARMS**. The flat sides are joined and strengthened by two steel square tubes.

The **MAIN FRAME** is connected to the **PICKPOINT** Hanging Arm by using a single **D12.6 QUICK RELEASE PIN** on each side.

The **STEEL SUPPORT MOUNT ARMS** are pre lengthened steel bars that have multiple apertures that align with the fixing points within the ES enclosures.

These arms are connected to the front edge of the **MAIN FRAME** sliding into the slot at the front edge and receiving a single **D12.6 QUICK RELEASE PIN** through the aperture of the arm and the **MAIN FRAME** each side.

The **STEEL SUPPORT MOUNT ARMS** receive the ES enclosures and are attached according to the configuration used via **D6 QUICK RELEASE PINS**.

FB - 0002 ARMS (KVV 987 192):

The **FB-0002 STEEL SUPPORT EXTENSION ARM** is an optional extension arm that is similar to the **STEEL SUPPORT MOUNT ARMS**, but is longer in length and uses the same method of attachment via **D6 QUICK RELEASE PINS**. This is required when suspending multiple enclosures and configurations.

ES DOWNFILL BRACKET (KVV 987 311):

The **DOWNFILL BRACKET** is a specific steel arm to enable the addition of a single ES1.0 mid hi enclosure to the hang as a down fill module.

The arm is a flat steel -pre lengthened and angled extension, with two apertures to allow connection to the last **STEEL SUPPORT EXTENSION ARM** by using two **D6 QUICK RELEASE PINS** on each side.

The ES1.0 down fill enclosure is then attached to the lower pre angled end of the **DOWNFILLBRACKET** which has a total of five variant angle options to utilize by using two **D6 QUICK RELEASEPINS** on each side.

PLEASE REFER TO THE CONFIGURATIONS PAGES TO ASSURE THE CORRECT STEEL BAR AND PINS ARE USED

Weights & Strengths

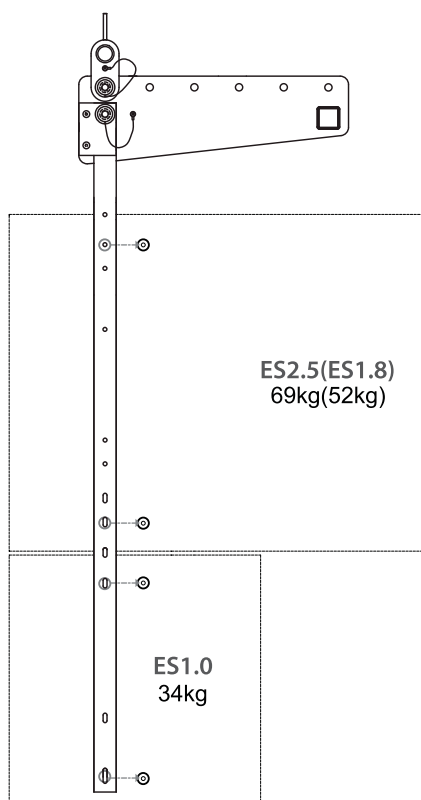
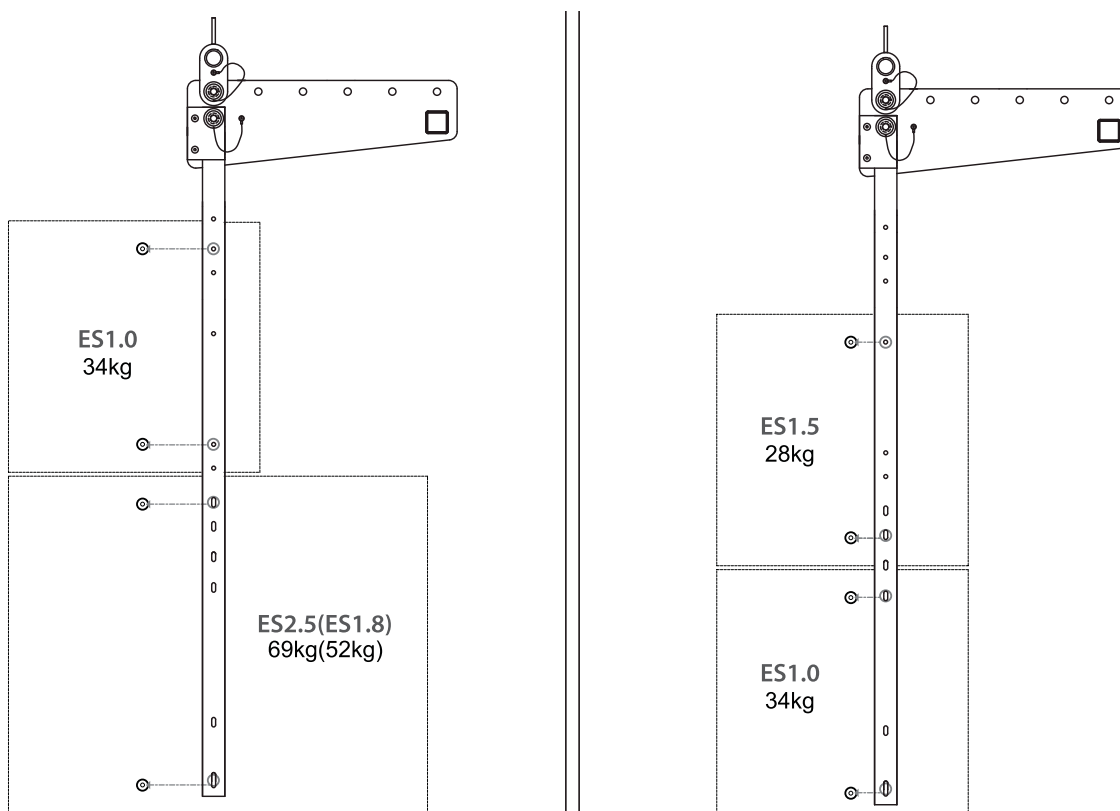
The ES Flybar System presents several configurations of system design product combinations for suspension and rigging. Each component has to be factored into the total weight being suspended.

Part	Weight per unit
MAIN FRAME WITH PICK POINT HANG SUPPORT BAR	15 kg (33.07lbs)
VERTICAL STEEL ARM BRACKET	1,6 kg (3.52lbs)
FB - 0002 ARM	1,62 kg (3.57lbs)
ES DOWNFILL BRACKET	2,1 kg (4.63lbs)
TOTAL WEIGHT OF ONE COMPLETE SYSTEM WITH 2 STEEL BARS	18,2 kg (40.13lbs)
TOTAL WEIGHT OF ONE COMPLETE SYSTEM WITH 4 STEEL BARS	21,44 kg (47.27lbs)
MAXIMUM SWL OF ONE COMPLETE SYSTEM WITH 2 STEEL BARS	500kg (1 102.3lbs)
MAXIMUM SWL OF ONE COMPLETE SYSTEM WITH 4 STEEL BARS	500kg (1 102.3lbs)

FOR CERTIFICATION OF FLYBAR COMPONENTS AND PINS PLEASE VISIT • www.kv2audio.com

Configurations with Basic Bracket

When you use the pins D6 on the speaker system, remove bolts M10x25 and instead install enclosed hollow screws M10x50. Maximum load 500kg.



- 8x D6
QUICK RELEASE PIN
(per side)
- 4x D12.6
QUICK RELEASE PIN
(per side)

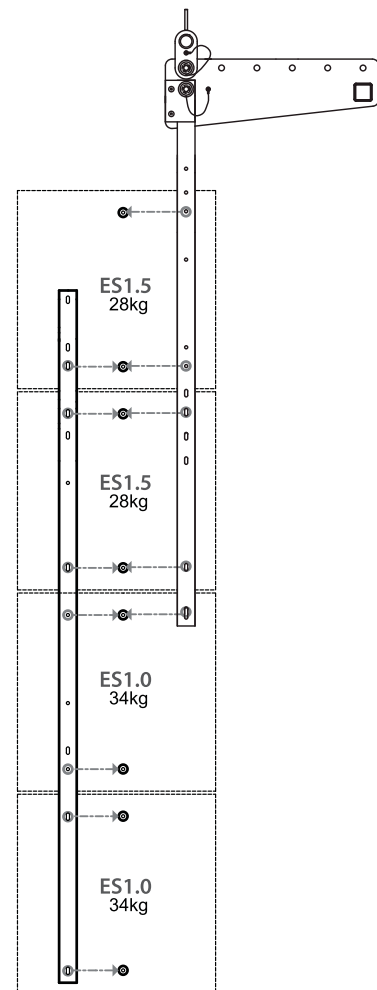
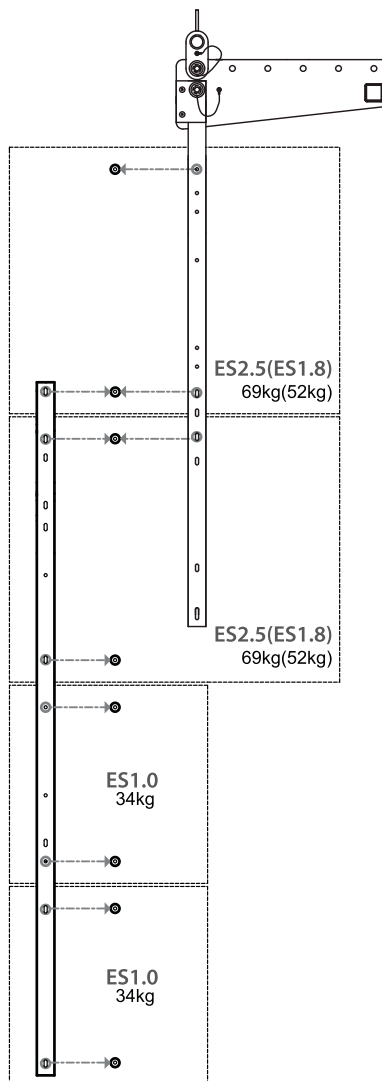
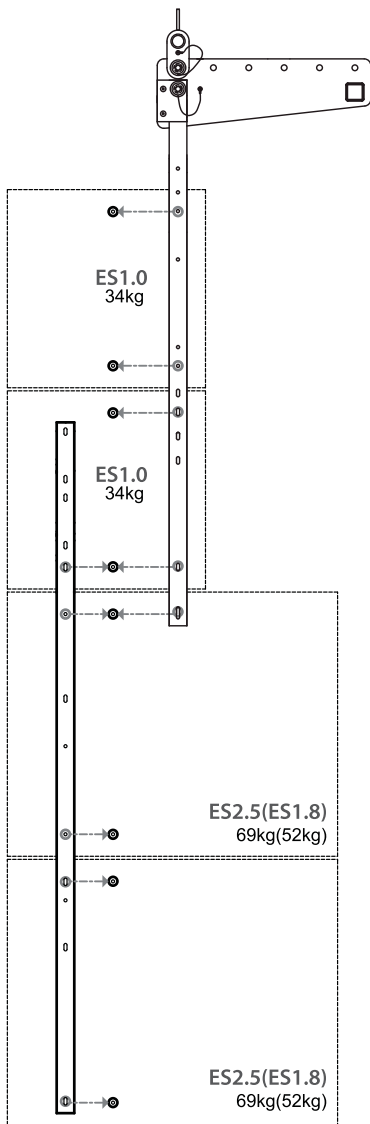
Configurations with Lower Arms

When you use the pins D6 on the speaker system, remove bolts M10x20 and instead install enclosed hollow screws M10x25. Maximum load 500kg.

FB - 0002 ARMS (KVV 987 192), LOWER ARM SLING



1x FB0002 ARMS per side



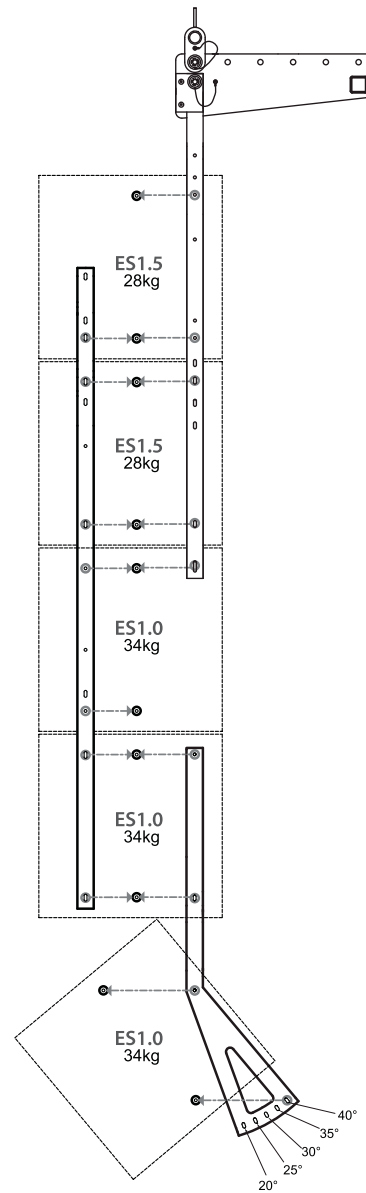
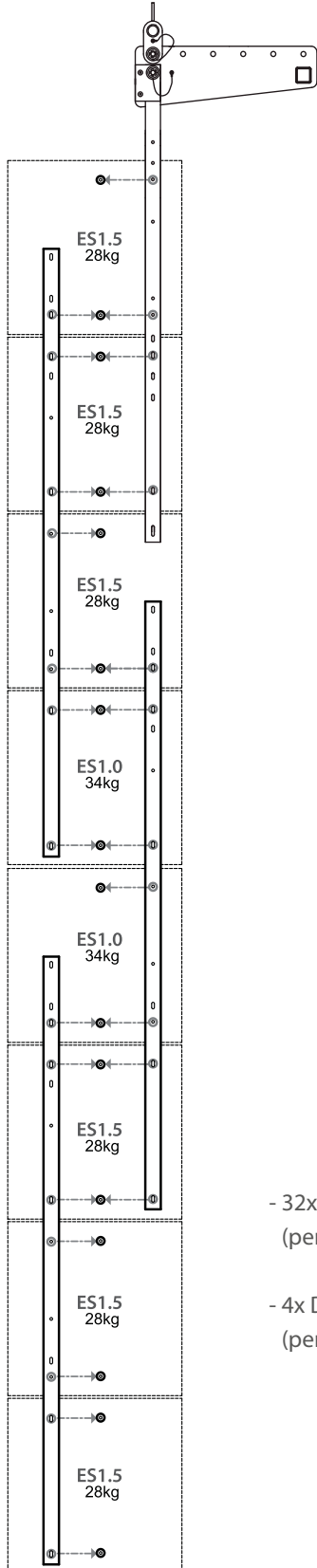
- 16x D6 QUICK RELEASE PIN (per side)

- 4x D12.6 QUICK RELEASE PIN (per side)

Configurations with Lower Arms

1x FB0002 ARMS per side

1x FB0002 ARMS per side
1x ES DOWNFILL FLYBAR per side



- 32x D6 QUICK RELEASE PIN
(per side)

- 4x D12.6 QUICK RELEASE PIN
(per side)

- 20x D6 QUICK RELEASE PIN
(per side)

- 4x D12.6 QUICK RELEASE PIN
(per side)



The Future of Sound.
Made Perfectly Clear.

KV2 Audio International

Nádražní 936, 399 01 Milevsko
Czech Republic

Tel.: +420 383 809 320

Email: info@kv2audio.com

www.kv2audio.com

KVV120044-00-08-0