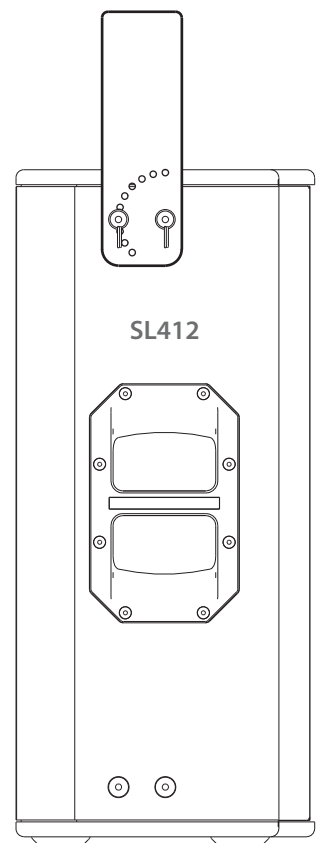




SL Flyware User Guide

- **Introduction**
- **Safety Warning**
- **Parts & Components**
- **Instructions**
- **Weights & Strengths**



**The future of sound.
Made perfectly clear.**

At KV2 Audio our vision is to constantly develop technologies that eliminate distortion and loss of information providing a true dynamic representation of the source.

Our aim is to create audio products that absorb you, place you within the performance and deliver a listening experience beyond expectation.

Contents

Contents	2
Introduction	3
Warning	3
Parts & Components	4
Instructions	5
Single point flying	6
Weights & Strengths	7

Introduction

This manual is presented by KV2 Audio, to enable the clear and precise instructions for the safe practice and execution, suspension and general rigging of the SL Loudspeaker products, using the **SL FLYBAR** system.

It is vitally important that operators and users familiarize themselves with all of the components, parts, products and safety instructions, as described and indicated within this document, before attempting any over-head suspension, flying and rigging.

The SL Loudspeaker enclosures are designed with integral suspension points to facilitate secure flying and rigging, providing that no modifications or external parts are substituted, and that all instructions are adhered to at all times.

KV2 Audio s.r.o operates a continuing process policy of attaining and improving standards. This means that instructions and methods may be subject to change without notification, and it is the sole responsibility of the operator/user to check for any updated information regarding safe flying procedures whether locally or internationally.

WARNING! - Safety Rigging

There are accepted '**General Rigging Practices**' appropriate to the entertainment industry and this Document aims to encapsulate them specifically to the safe suspension of the KV2 SL Loudspeaker systems described here.

It is extremely vital and important that only personnel whom have the qualifications and certificates, Prior knowledge and experience of rigging techniques, attempt the execution of any overhead suspension of KV2 products.

All advice and instructions expressed and stated within this document, are based upon the highest engineering data available at the time of publication, from within the Country of manufacture, with regards to materials and general practice techniques.

Specifications are subject to change, due to constant testing, product updates and refinements and R&D.

'**General Rigging Practices**' means that Regulations and requirements are possibly subject to alterations in different countries and may be superseded locally.

KV2 Audio, as such is not responsible for the safety of any suspension, flying overhead of all specific KV2 Audio Loudspeaker products, or Rigging configurations as executed in practice by users.

It is expressly the sole responsibility of the user to ensure that at all times any KV2 Audio product, or system is suspended and rigged in accordance with current International and local regulations.

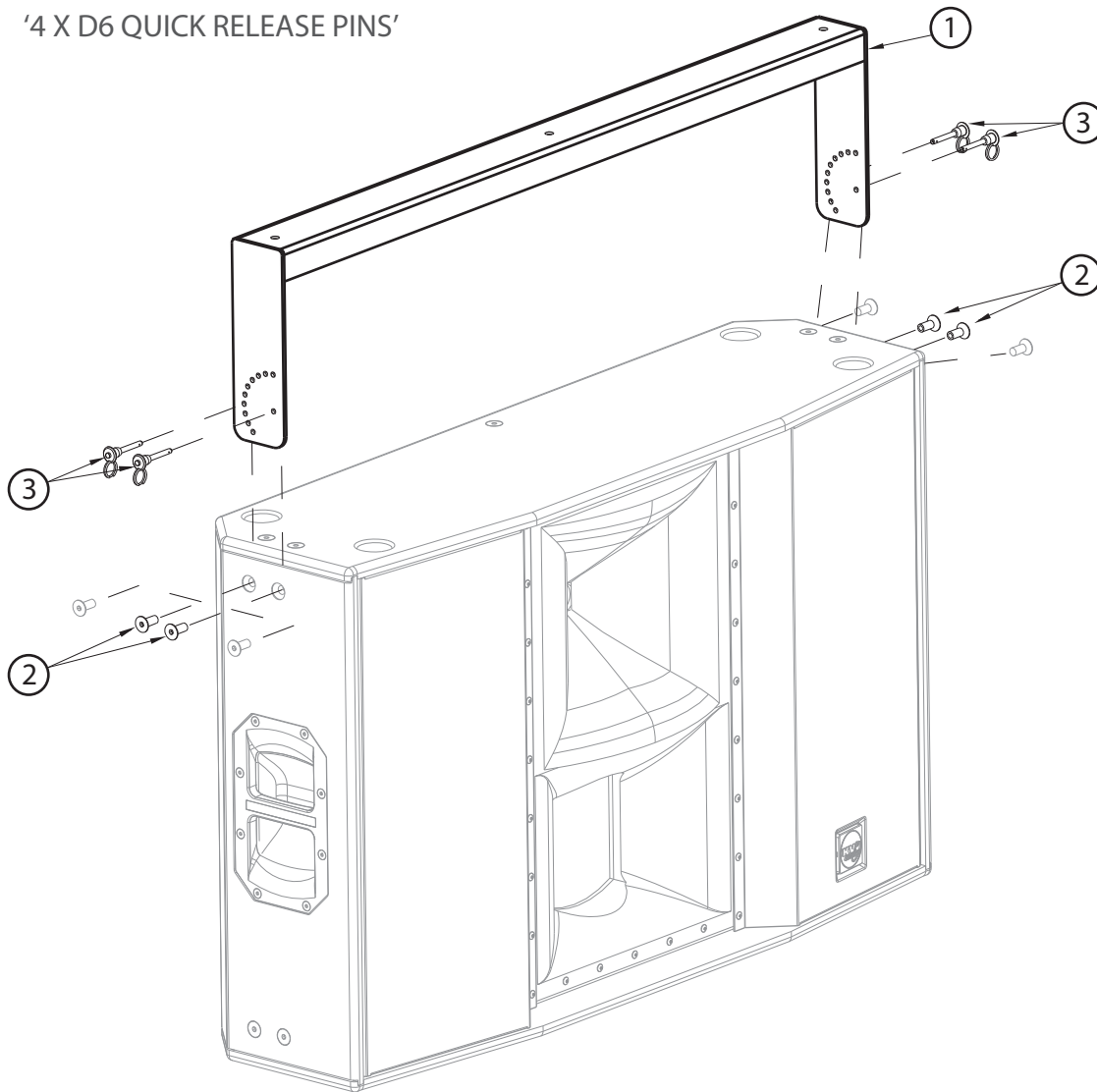
All non KV2 Audio products such as hoists, clamps, wires, truss, supports used, or required to suspend KV2 Audio Loudspeaker products are the sole responsibility of the user.

Parts & Components

The SL FLYBAR is a complete system to allow the safe suspension of a *single SL412 or SL2.15 Unit.
NOTE: The SL FLYBAR is not certified to allow any suspension of any additional enclosures

The system consists of individual parts that form the basis of attaching a loudspeaker module to the FLYBAR, these are:

1. 'FLYBAR YOKE'
2. '4 X M10 HEX SCREWTHREADS WITH INTEGRAL APERTURE'
3. '4 X D6 QUICK RELEASE PINS'



The SL FLYBAR is a pre-fixed steel bar with folded edges and short extension arms at each end. The long bar has prefixed apertures along the top plate to allow attachments such as clamps, Eye-bolts and threads to facilitate connection to hoists, truss etc. On each extended arm, there is a single aperture which allows the fixing of the Flybar to the SL412 and there is a secondary semi-circle of a total of ** 10 apertures which allow a pre-settable fixed angle of suspension in the tilt orientation.

** NOTE: The SL FLYBAR has a front and back, to make sure it is used in the correct orientation, identify that the semi-circle of aperture fixings are facing to the rear of the enclosure**

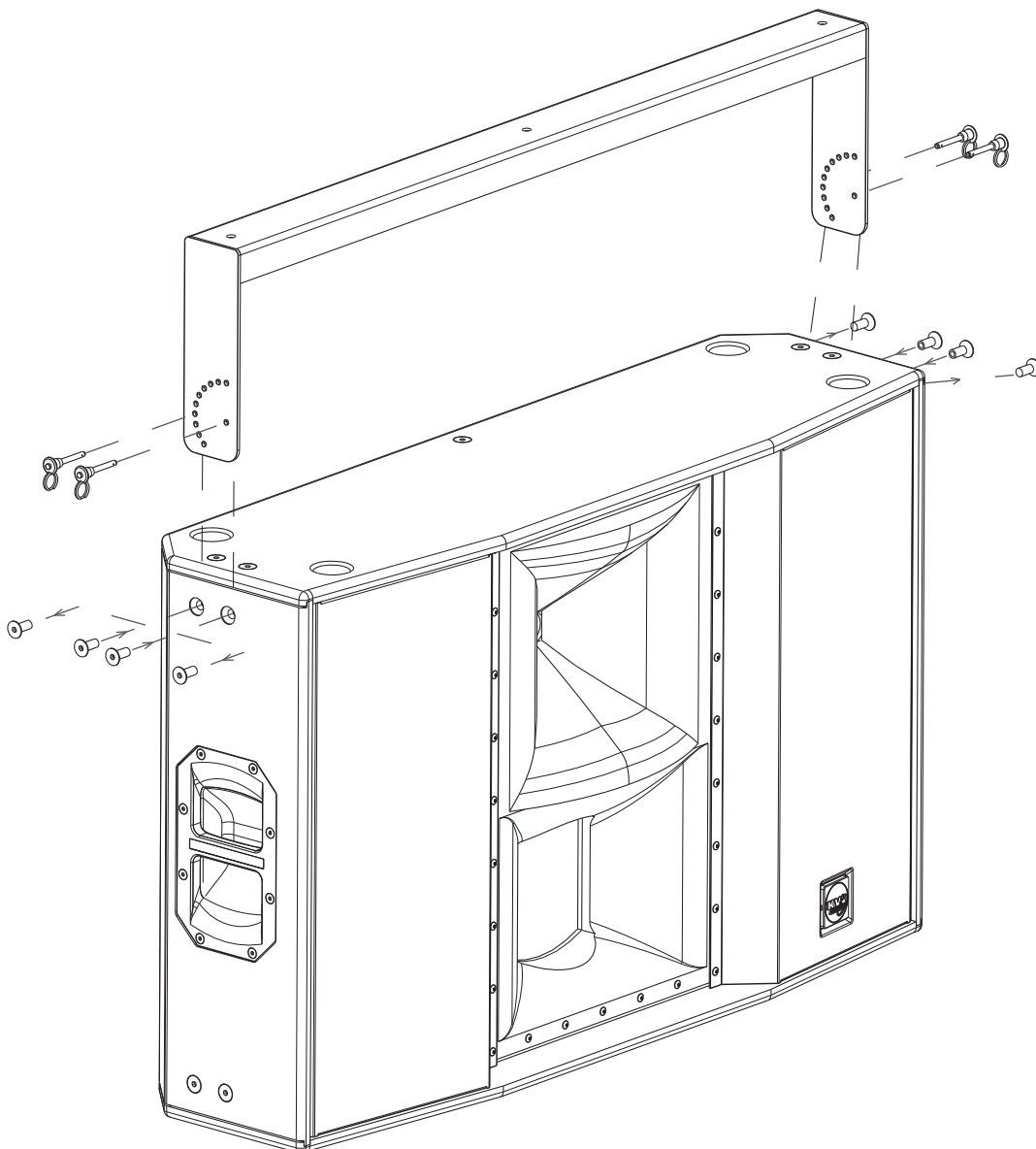
To attach the SL Flybar to the SL412:

The SL412 comes complete with pre-loaded M10 mounting points and Bolts with a total of 20 fixing points at different locations of the enclosure.

It is important to locate the **top two** mounting bolts which are at the top end of each side of the enclosure, remove these and replace with the **4 x M10 HEX SCREWTHREADS WITH INTEGRAL APERTURE** that come supplied with the **SL FLYBAR** system.

Place the complete **SL FLYBAR** over the top of the SL412 so that the extension arms are parallel to the sides of the enclosure and place a single **D6 QUICK RELEASE PIN** through the single hole in the arm and then into the aperture of the two which is **nearest to the front edge** of the SL412 enclosure. The **SL FLYBAR** is now attached safely to the enclosure.

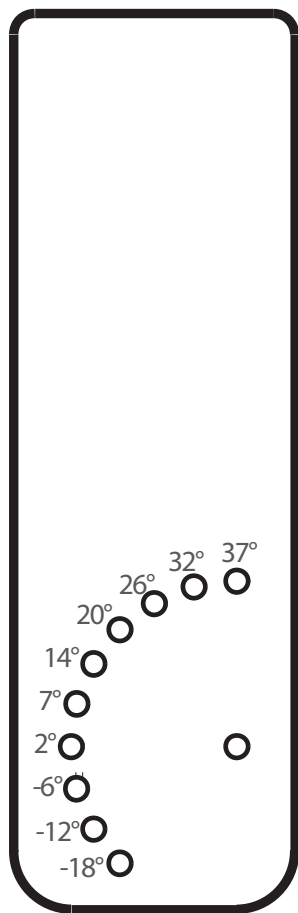
To achieve the correct angle of tilt and hang, now select an aperture from one of the 10 holes within the semi-circular row on each arm and enter a second **D6 QUICK RELEASE PIN** through the arm on each side into the second aperture which is **nearest to the rear edge** of the SL412 enclosure. Now the whole assembly is ready to be suspended.



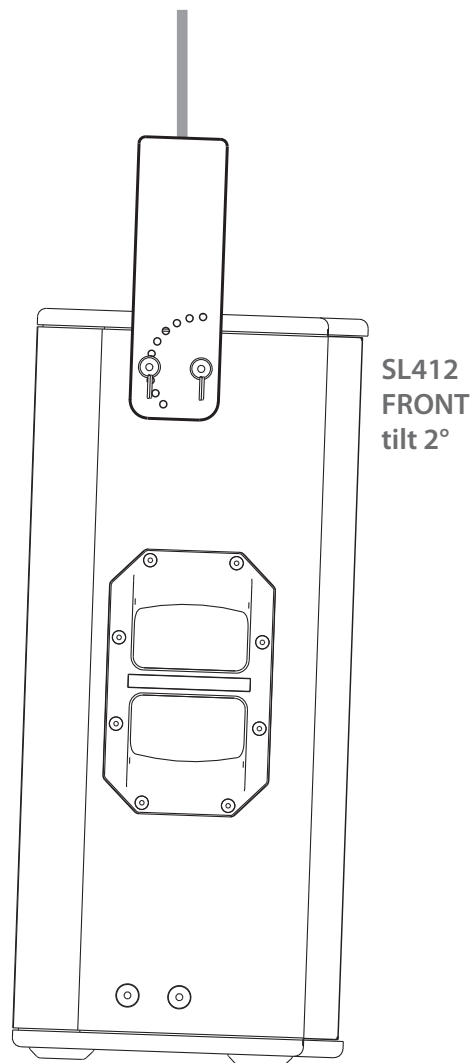
Single point flying:

If the SL412 is suspended from a single point, the tilt angle varies with the location of the center of gravity. For the resulting tilt angle, please see SL Flybar picture with marked angles.

SL Flybar



SL Flybar with marked angles, when SL412 is suspended from a single point



SL 412 suspended from a single point, tilt 2°

Single point flying

Weights & Strengths

PART	WEIGHT PER UNIT
SL FLYBAR	4,5kg (9.92lbs)
4 X M10 HEX SCREWTHREADS WITH INTEGRAL APERTURE	0,1 kg (0.22lbs)
4 X D6 QUICK RELEASE PINS	0,1 kg (0.22lbs)
TOTAL WEIGHT OF ONE COMPLETE SYSTEM WITH SINGLE SL412	65kg (143.3lbs)

FOR CERTIFICATION OF FLYBAR COMPONENTS AND PINS PLEASE VISIT www.kv2audio.com

The future of sound. Made perfectly clear.

At KV2 Audio our vision is to constantly develop technologies that eliminate distortion and loss of information providing a true dynamic representation of the source.

Our aim is to create audio products that absorb you, place you within the performance and deliver a listening experience beyond expectation.



KV2 Audio, Nádražní 936, 399 01 Milevsko, Czech Republic
Tel. +44(0)1423 816868
www.kv2audio.com