

Introduction

The SL3000 Amplifier is a three-way, active control and amplification system specifically designed for the KV2 Audio SL Series modular loudspeaker systems. The SL3000 Stereo Amplifier drives and controls one SL412 per channel and follows the typical KV2 holistic approach of matching components with high quality electronics for true direct performance. The SL3000 utilises a 1000-watt high efficiency – current enhancing, switch – mode technology, with linear active filter design for the low mid-section, a 200-watt class AB push pull low intermodulation design amplifier for the mid-range and a similar 100-watt design for the high frequencies. It houses all time alignment, phase correction, amplification and equalisation as well as providing an external subwoofer crossover output to run further subwoofer cabinets if needed.

Features

- High Frequency - 100-watt, Class AB, push pull, low intermodulation design
- Mid Frequency - 200-watt, Class AB, push pull, low intermodulation design
- Low Frequency - 1000-watt, high-efficiency, current-enhancing switch mode technology



Application

Specifically designed as the amplification and control elements for the SL loudspeaker systems in a 4RU mount module

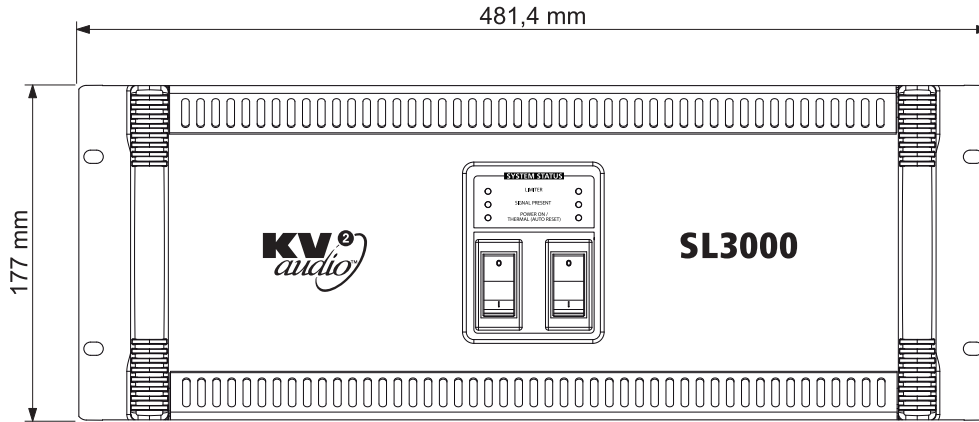
- Fixed Installations

| Output Channels | |
|--|---|
| Number of Channels | 2 (stereo) |
| Total Output Power | 2x 1300W |
| High Frequency Amplifier Specification | |
| Type | Class AB - Push Pull - Low IM Design, Transformer balanced output |
| Rated Continuous Power | 100W |
| Distortion | <0.02% |
| Operating Bandwidth | 2,5kHz to 40kHz |
| Mid Frequency Amplifier Specification | |
| Type | Class AB - Push Pull - Low IM Design, Transformer balanced output |
| Rated Continuous Power | 200W |
| Distortion | <0.02% |
| Operating Bandwidth | 400Hz to 2,5kHz |
| Low Frequency Amplifier Specification | |
| Type | High efficiency, Current-enhancing switch mode |
| Rated Continuous Power | 1000W |
| Distortion | <0.02% |
| Operating Bandwidth | 35Hz to 400Hz |

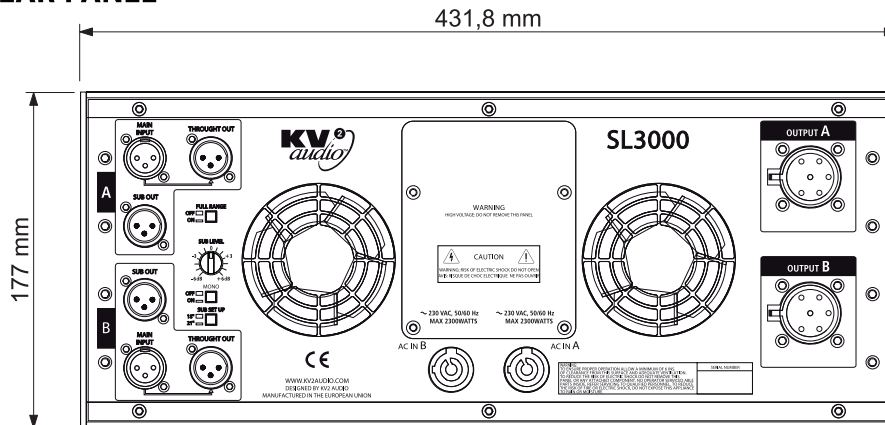
| Signal Input | |
|-------------------------|--|
| Input Sensitivity | 1V RMS |
| Input Impedance | 20kΩ (balanced) |
| Speaker Output | |
| Speaker Output | 2x AP6 |
| Power | |
| Power Connector | 2x Neutrik PowerCon® |
| Operating Voltage | 115V / 230V / 250V |
| Operating Voltage Range | 100 to 120V@60Hz 205 to 240V@50Hz 225 to 260V@50Hz |
| Recommended Amperage | 2x10A 115V 2x5A 230V 2x5A 250V |
| Physical Dimensions | |
| Height | 177.8 mm (7.0"), 4RU |
| Width | 481.4 mm (18.95") |
| Depth | 495 mm (19.5") |
| Weight | 39.2 kg (86.62lbs) |

Dimensional Drawings

FRONT PANEL



REAR PANEL



The future of sound. Made perfectly clear.



KV2 Audio International, Nádražní 936, Milevsko 399 01, Czech Republic
Tel.: +420 383 809 320
Email: info@kv2audio.com | Web: www.kv2audio.com