

Introduction

The ESD5 is a very high quality 2-way full-range compact low profile passive loudspeaker with performance that defies its size. Delivering exceptional clarity for speech and program reproduction, the ESD5 is perfect for discreet installations and audio visual presentations where sound quality is paramount, but aesthetic dimensions are of equal importance. The ESD5's high impedance capability means that up to sixteen units can be run from a single suitable quality stereo amplifier, to provide a high fidelity background program throughout a venue.

Features

- Professional, Baltic birch construction with wear resistant polymer coating
- 115dB sustained output, 118dB peak with very high dynamic range
- Compact cabinet design allows for use as front fill, in-fill or under balcony applications
- Wide dispersion 90° H x 90° V horn
- Revolutionary new passive delay line
- 1 1/3" (34,4 mm) diaphragm compression driver with complex geometry phase plug for higher output, exceptionally low distortion, extended frequency response and ferrite magnetic motor structure
- 5" woofer with Low Inductance Lightweight voice coil technology and motor structure dramatically increases force and lowers distortion
- Proprietary design for simplified mounting integrates two M10 suspension points



Application

Specifically designed as a super- discreet passive loudspeaker for reproduction of recorded music and speech

- Suitable in fixed installations as a full range speaker or as a system with accompanying subwoofers
- Excellent peripheral reinforcement for main KV2 systems
- Fill-in speaker
- Monitoring
- Ceiling or under balcony mounting

System Acoustic Performance		Speaker Input	
Max SPL Long-term	112dB	Speaker Input	2x Neutrik Speakon®, Terminal Block
Max SPL Peak	115dB		
-3dB Response	130Hz to 22kHz	Cabinet	
-10dB Response	74Hz to 28kHz	Cabinet Material	Baltic birch
Recommended Power	100W	Color	"Orange peeled" Matt Black or any RAL
Sensitivity	89dB	Physical Dimensions	
Impedance	16Ω	Height	150 mm (5.9")
Crossover Point	3.0kHz	Width	316 mm (12.4")
High Frequency Section		Depth	224.7 mm (8.84")
Acoustic Design	Horn Loaded	Weight	7 kg (15.4lbs)
High Horn Coverage Horizontal / Vertical	90° x 90°		
Throat Exit Diameter / Diaphragm Size	1" / 1.3"		
Diaphragm Material	Titanium		
Magnet Type	Ferrite		
Protection	RMS Limiter		
Low Frequency Section			
Acoustic Design	Closed box		
Woofer Size / Voice Coil Diameter	5" / 1.75"		
Diaphragm Material	Epoxy Reinforced Cellulose		
Magnet Type	Ferrite		
Protection	RMS Limiter		

Architectural Specifications

The Loudspeaker shall be a 2-way design using SLA Technology (Super Live Audio) and shall be driven and controlled by a dedicated matched Amplifier (ESP2000, ESP4000 or alternatively with a third party amplifier of the users choice).

The Loudspeaker enclosure shall consist of one 5" Ferrite magnet structure Bass driver and one 1" Titanium Compression driver mounted to a low compression horn assembly.

The cabinet enclosure shall be made from re-enforced Baltic Birch Ply, with toughened impact and wear resistant paint finish.

The Loudspeaker components shall be protected by an acoustically transparent rigid metal grille.

The enclosure shall incorporate one M10 Fixing point on the top and bottom panels to allow flexible fixing and rigging options.

The enclosure shall incorporate a recessed connection panel and will be fitted with a double input/output Speakon locking connector.

A 4 pole barrier strip will be incorporated in the connection panel to allow bare wire connection.

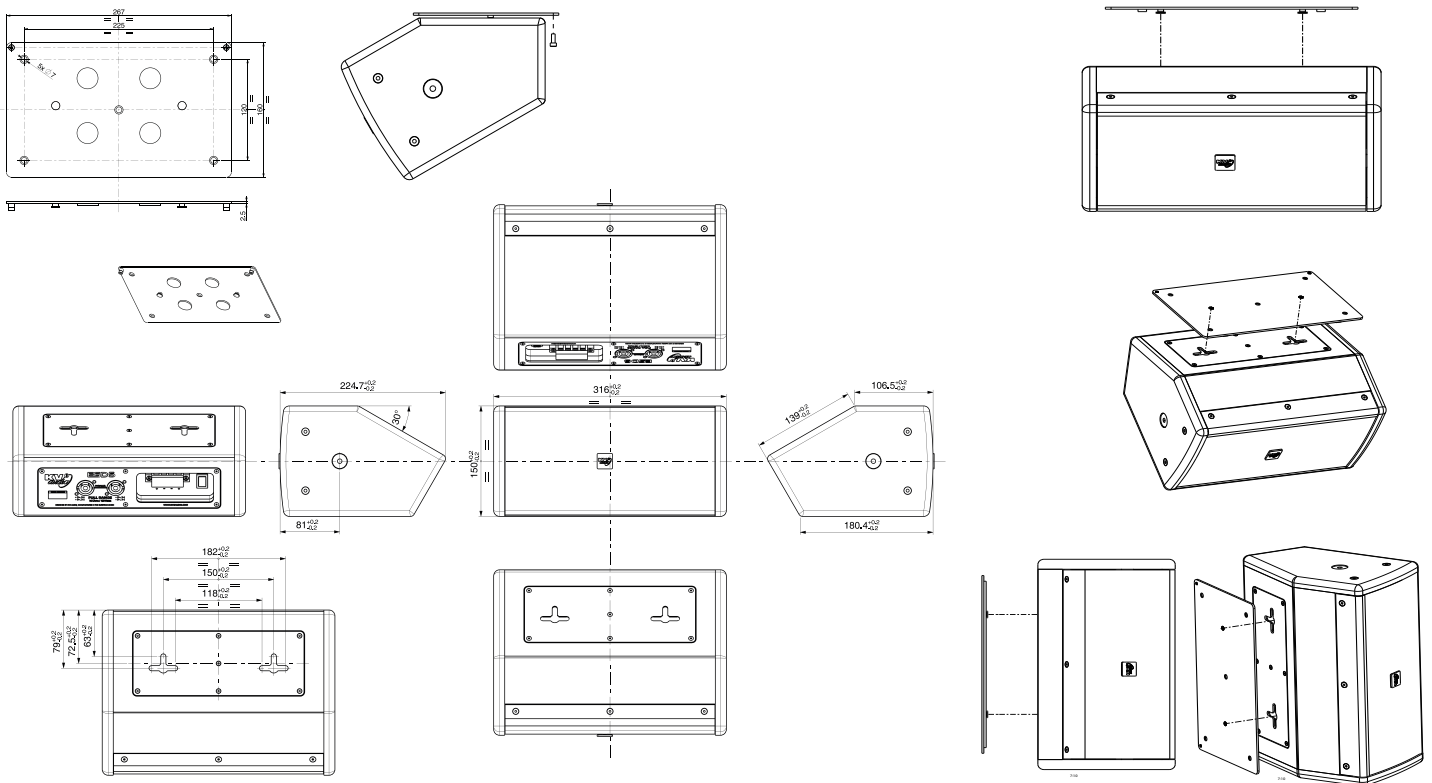
The Loudspeaker shall have a maximum long term pressure level of 115dB, a total peak power handling capacity of 170W, a nominal Horizontal and Vertical dispersion of 90 deg and have a measured on axis frequency response of 130Hz to 22KHz (-3dB).

The Enclosure dimensions shall be: 316 mm /12.4" x 150 mm /5.9" x 224 mm /8.84"

The Enclosure shall not exceed a weight of 7 kg /15,4lbs.

The dedicated Amplifier shall be the KV2 Audio ESP2000/4000 (or alternative third party amplifier).

Dimensional Drawings



The future of sound. Made perfectly clear.



KV2 Audio International, Nádražní 936, Milevsko 399 01, Czech Republic
 Tel.: +420 383 809 320
 Email: info@kv2audio.com | Web: www.kv2audio.com