

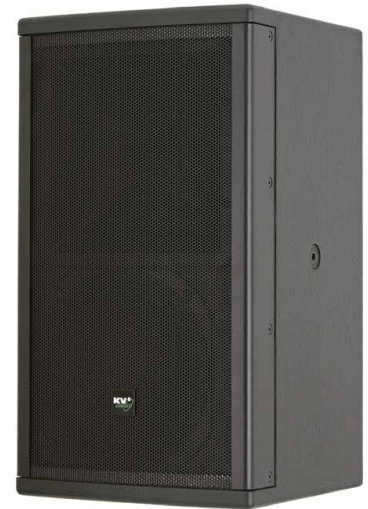
ESD6 Technical Data Sheet

Introduction

The ESD6 is a high quality 2-way full-range compact passive loudspeaker with output that defies its size. Delivering amazing clarity for speech and program reproduction, the ESD6 is perfect for discreet installations and audio visual presentations where sound quality is paramount but size also matters. The ESD6's high impedance capability means that up to sixteen units can be run from a single suitable quality stereo amplifier to provide a high fidelity background program throughout a venue.

Features

- Professional, Baltic birch construction with wear resistant polymer coating
- 117dB sustained output, 120dB peak with very high dynamic range
- Compact cabinet design allows for use as front fill or under balcony applications
- Wide dispersion 100° H x 100° V horn
- Revolutionary new passive delay line
- 1.75" (44 mm) diaphragm compression driver with complex geometry phase plug for higher output, exceptionally low distortion, extended frequency response and neodymium magnetic motor structure
- 6" woofer with Low Inductance Lightweight voice coil technology and neodymium motor structure dramatically increases force and lowers distortion
- Proprietary top handle design for simplified handling and carrying, integrates one M10 suspension point, Omnimount™ bracket point and four M6 points
- Additional side and bottom M10 points for flexible bracket, rigging and installation options
- "Top-hat" pole mount fitted at the base of the cabinet



Application

Specifically designed as a passive loudspeaker for reproduction of recorded music in small areas

- Suitable in Fixed installations as full range stand-alone or with subwoofers
- Excellent peripheral reinforcement for main KV2 systems
- Portable PA for Multi-Media applications
- Compact floor monitoring solutions
- Domestic and Professional studio monitoring

System Acoustic Performance	
Max SPL Long-term	117dB
Max SPL Peak	120dB
-3dB Response	68Hz to 20kHz
-10dB Response	51Hz to 28kHz
Recommended Power	175W
Sensitivity	92dB
Impedance	16Ω
Crossover Point	2.0kHz

High Frequency Section	
Acoustic Design	Horn Loaded
High Horn Coverage Horizontal / Vertical	100° x 100°
Throat Exit Diameter / Diaphragm Size	1" / 1.75"
Diaphragm Material	Titanium
Magnet Type	Neodymium
Protection	RMS Limiter

Low Frequency Section	
Acoustic Design	Front Loaded, Bass Reflex
Woofer Size / Voice Coil Diameter	6" / 1.75"
Diaphragm Material	Epoxy Reinforced Cellulose
Magnet Type	Neodymium
Protection	RMS Limiter

Speaker Input	
Speaker Input	2x Neutrik Speakon®, Terminal Block

Cabinet	
Cabinet Material	Baltic birch
Handles	1
Pole Mount	35 mm
Color	"Orange peeled" Matt Black or any RAL

Physical Dimensions	
Height	390 mm (15.35")
Width	220 mm (8.66")
Depth	240 mm (9.45")
Weight	9.5 kg (20.9lbs)

ESD6 Technical Data Sheet

Architectural Specifications

The Loudspeaker shall be a 2-way design using SLA Technology (Super Live Audio) and shall be driven and controlled by a dedicated matched Amplifier (ESP2000, ESP4000 or alternatively with a third party amplifier of the users choice).

The Loudspeaker enclosure shall consist of one 6" Neodymium magnet structure Bass driver and one 1" Neodymium Titanium Compression driver mounted to a low compression horn assembly.

The cabinet enclosure shall be made from reinforced Baltic Birch Ply, with toughened impact and wear resistant paint finish.

The Loudspeaker components shall be protected by an acoustically transparent rigid metal grille supported by absorbent rubber seals.

The enclosure shall incorporate one ergonomically designed recessed handle on the top panel, which will incorporate four M6 points to facilitate Omnimount™ attachment.

The enclosure shall incorporate one M10 fixing point on each side panel to facilitate ESD6 V & H bracket fixing and a single Top Hat Pole mount will be fitted to the base panel.

The enclosure shall incorporate a recessed connection panel and will be fitted with a double input/output Speakon locking connector.

A 4 pole barrier strip will be incorporated in the connection panel to allow bare wire connection.

The Loudspeaker shall have a maximum long term pressure level of 117dB, a total peak power handling capacity of 175W, a nominal Horizontal and Vertical dispersion of 100 deg and have a measured on axis frequency response of 68Hz to 20KHz (-3dB), 62Hz to 22kHz (-10dB).

The Enclosure dimensions shall be: 390 mm / 15.35" x 220 mm / 8.66" x 240 mm / 9.45"

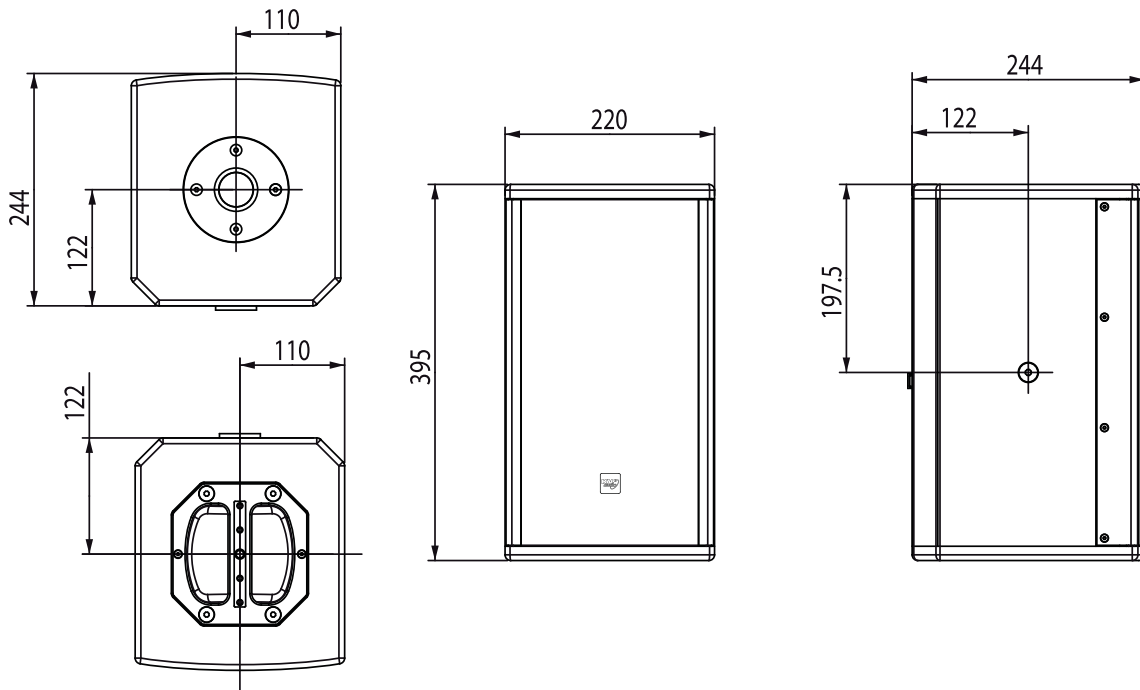
The Enclosure shall not exceed a weight of 9.5 kg / 20.9lbs.

The Loudspeaker shall be the KV2 Audio ESD6.

The dedicated Amplifier shall be the KV2 Audio ESP2000/4000 – (Or alternative third party amplifier).

The dedicated fly ware shall be the ESD6 Vertical or Horizontal Bracket.

Dimensional Drawings



The future of sound. Made perfectly clear.



KV2 Audio International, Nádražní 936, Milevsko 399 01, Czech Republic

Tel.: +420 383 809 320

Email: info@kv2audio.com | Web: www.kv2audio.com